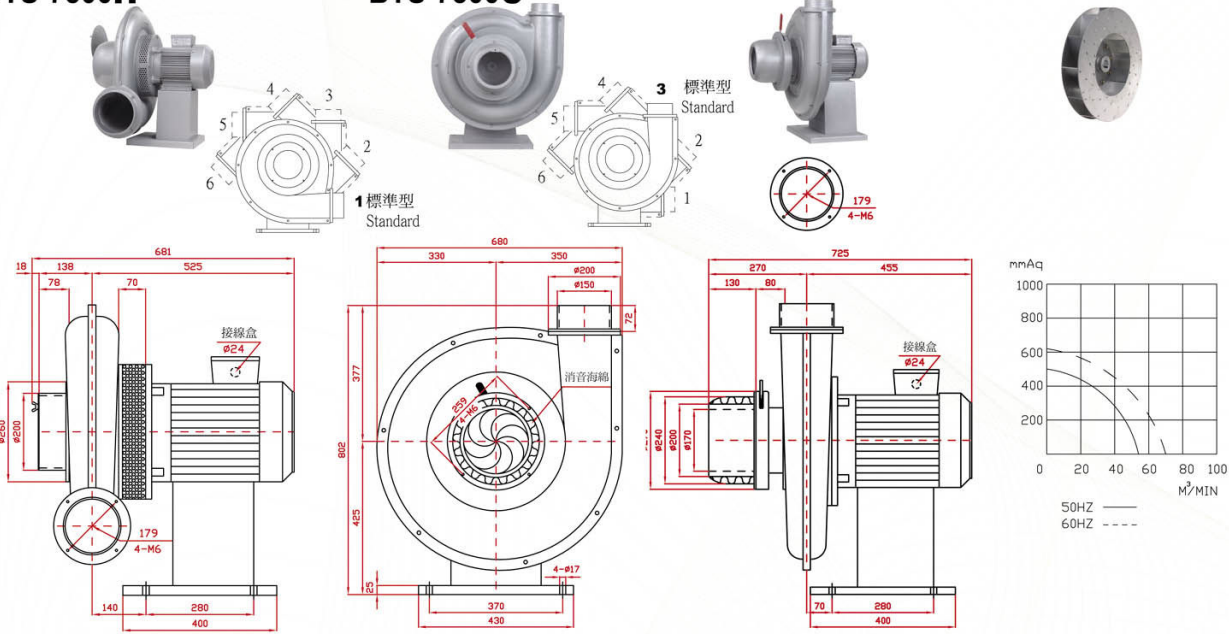


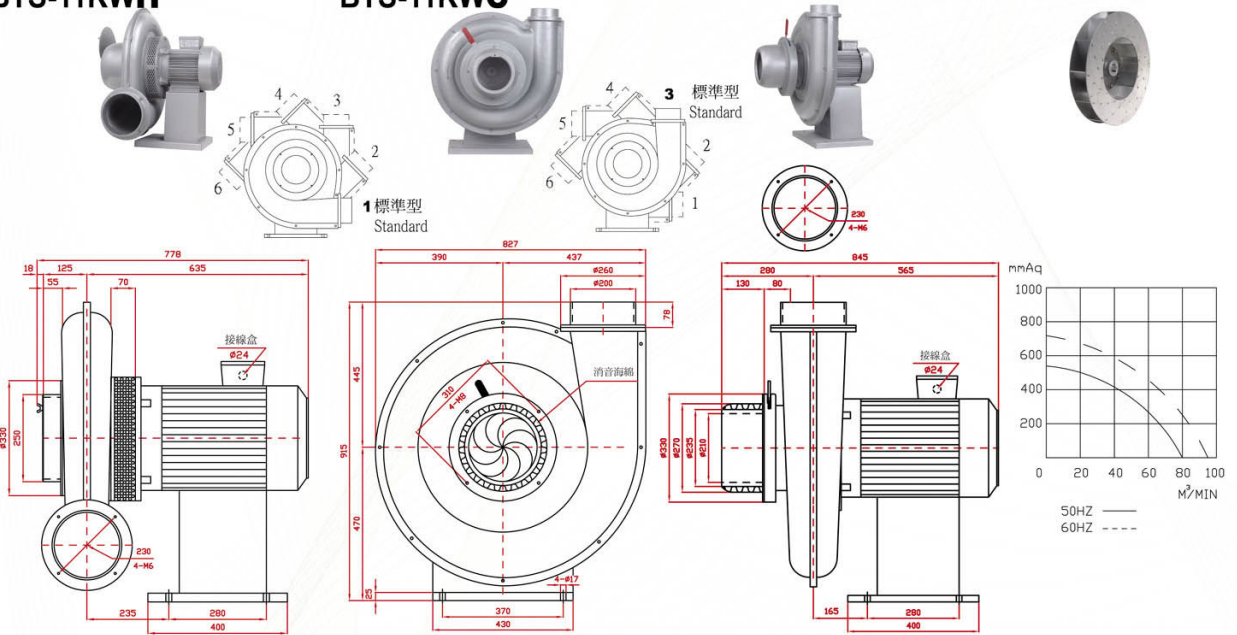
BTS-7500H

BTS-7500C



BTS-11KWH

BTS-11KWC



註二：供應電壓如下：三相(3 Phase)—200, 208, 220, 230, 240, 346, 380, 400, 415, 440, 480, 575V (Note 2)

PS：訂購時請指定電壓與頻率。
When ordering, please specify voltage and frequency.